



VISCONTI
M I L A N O

EN

1. INSTRUCTIONS TO MEASUREMENTS

WRIST SIZE

We ask our clients to choose \textcircled{S} , \textcircled{R} or \textcircled{L} size that indicates the wrist size.

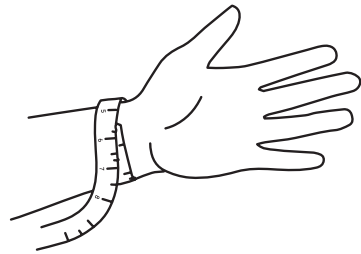
Considering that Ladies are usually wearing \textcircled{S} (Lady with a larger wrist can chose \textcircled{R}), and Men with a thin wrist can chose \textcircled{S} .

Usually large men's wrist is measured as \textcircled{L} .

Wrist size is a proportional characteristic and in the whole concerns both parts of a strap.

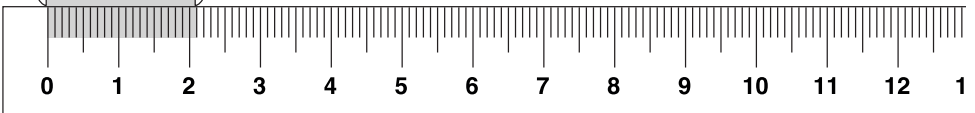
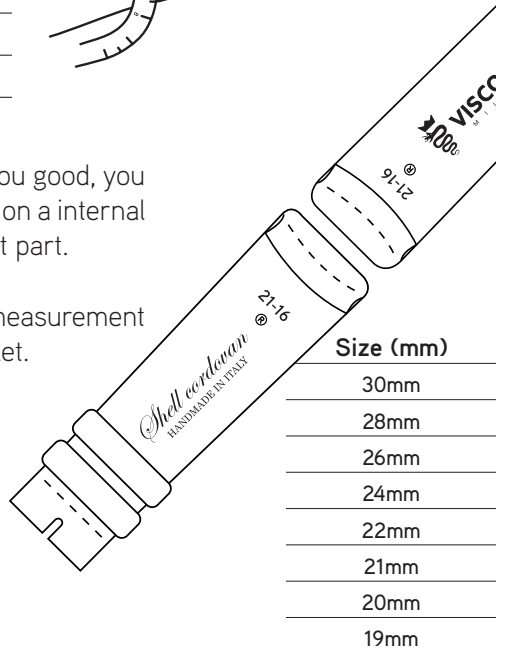
LADY size		GENT Size	
Thin wrist	\textcircled{S}	Thin wrist	\textcircled{R}
Large wrist	\textcircled{R}	Large wrist	\textcircled{L}

Size	mm	Wrist associated (mm)
\textcircled{S}	110/60	165
\textcircled{R}	115/75	175
\textcircled{L}	120/80	185



If you already have a strap that suits you good, you can check its size, usually it is marked on a internal part of a strap close to the attachment part.

If is not marked you can take the measurement following the instructions in this booklet.



STRAP LENGTH

The length of both strap sides is pre-defined and depends on the wrist size.

We invite our clients to choose the gender of the strap either LADY or GENT with predefined length measurements (SHORT, STANDARD, LONG); or you can put a custom value.

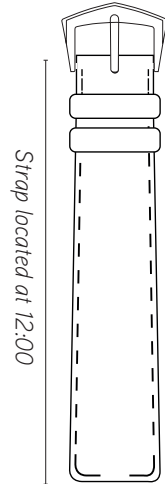
GENT STD Ⓜ
115/75 mm
Strap located at 6:00 / Strap located at 12:00

LADY STD Ⓢ
105/70 mm
Strap located at 6:00 / Strap located at 12:00

GENT XL Ⓛ
130/90 mm
Strap located at 6:00 / Strap located at 12:00

If you need a particular strap length you can make the measurement using a ruler. We need to determinate the length of a shorter strap part (located at 12:00) and of the longer part (located at 06:00)

- 1) Measure your wrist
- 2) See the metric system conversion table



STRAP WIDTH



- 24mm
- 22mm
- 20mm
- 18mm
- 16mm
- 14mm
- 12mm
- 10mm
- 8mm

lug
/ buckle

- 14/12 mm at the case/ at the buckle
- 15/12 mm at the case/ at the buckle
- 16/12 mm at the case/ at the buckle
- 16/14 mm at the case/ at the buckle
- 17/16 mm at the case/ at the buckle
- 18/16 mm at the case/ at the buckle
- 19/16 mm at the case/ at the buckle
- 20/16 mm at the case/ at the buckle
- 20/18 mm at the case/ at the buckle
- 21/18 mm at the case/ at the buckle
- 22/18 mm at the case/ at the buckle
- 22/20 mm at the case/ at the buckle

OTHER

At the case (mm)

At the buckle (mm)



2. HOW TO CHANGE THE STRAP

Be sure that you have the correct spring bars. You can use it from your old strap, include in the strap order or purchase from any watchmaker worldwide (that can also mount your strap).

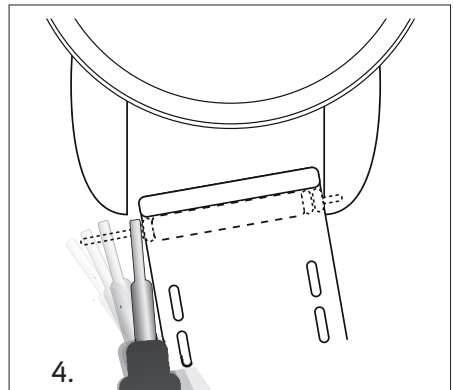
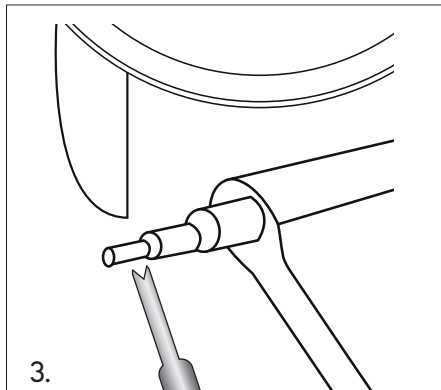
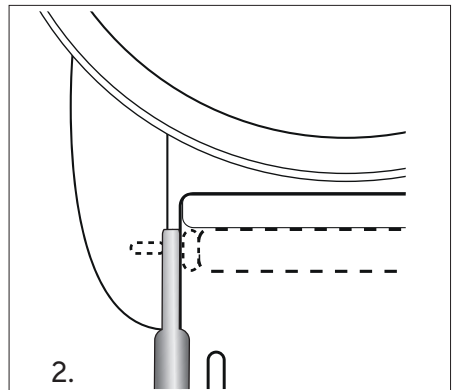
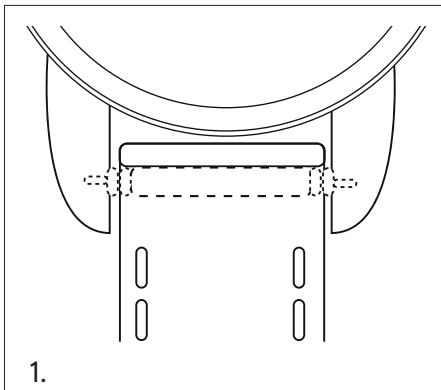
NECESSARY KIT

YOUR TIMEPIECE

SPRING BARS (not included by VM if not specifically ordered)

STRAP TOOL (included by VM)

BUCKLE (not included by VM if not specifically ordered)



STRAP TOOL

HAS TWO DIFFERENT TIPS:

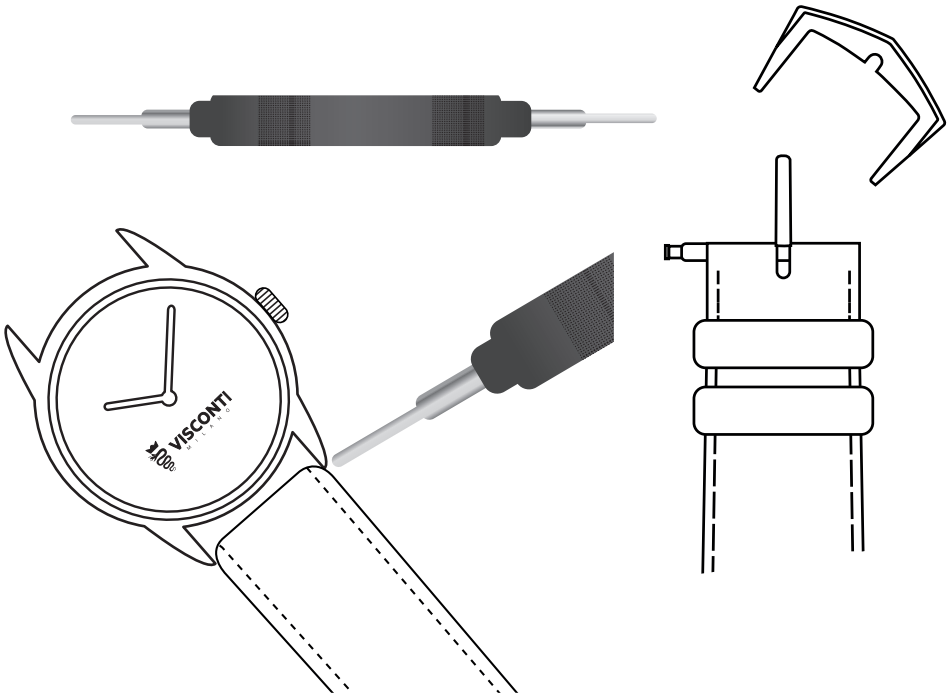
One like a sharp needle, another like a bidentate fork.
You can operate with both, depending on the spring bar.

THERE ARE TWO WAYS TO USE IT:

- 1) To use the sharp needle of strap tool on top of mount joint between the strap and the watch body. The same with the attachment of buckle and a strap.
- 2) To put the bidentate part of strap tool between the strap and watch body connection, like a lug.

Do the inverse operation to mount back the strap.

Some straps have the spring bar with an external screw usually on the external watch lug, in this case you can unscrew with a small screwdriver and follow the same instructions.



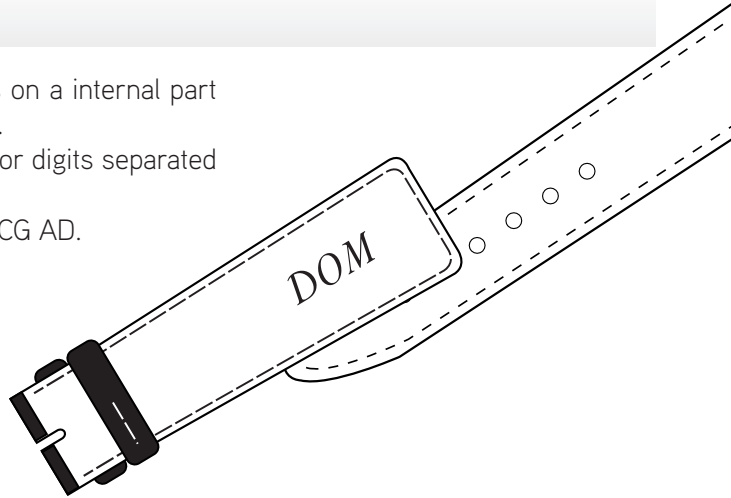
For particular strap attach please consult your watchmaker before causing any damage to the watch.

INITIALS

You can put your initials on a internal part of the strap (on a lining).

It can be up to 3 letters or digits separated by points or without it.

Examples: G.S.A. A.D. JCG AD.



STITCHING

There are available different types of stitching and colors.

LENGHT

Please refer on the other side of this instruction under STRAP LENGTH to get all the information.



LINING

The internal part of your strap can be made from special materials and colors: calfskin, alligator, alcantara, rubberized leather, etc.



Check for more options available in Visconti Milano Strap Constructor (www.viscontimilano.com) or from an authorized dealer.

VISCONTIMILANO.COM